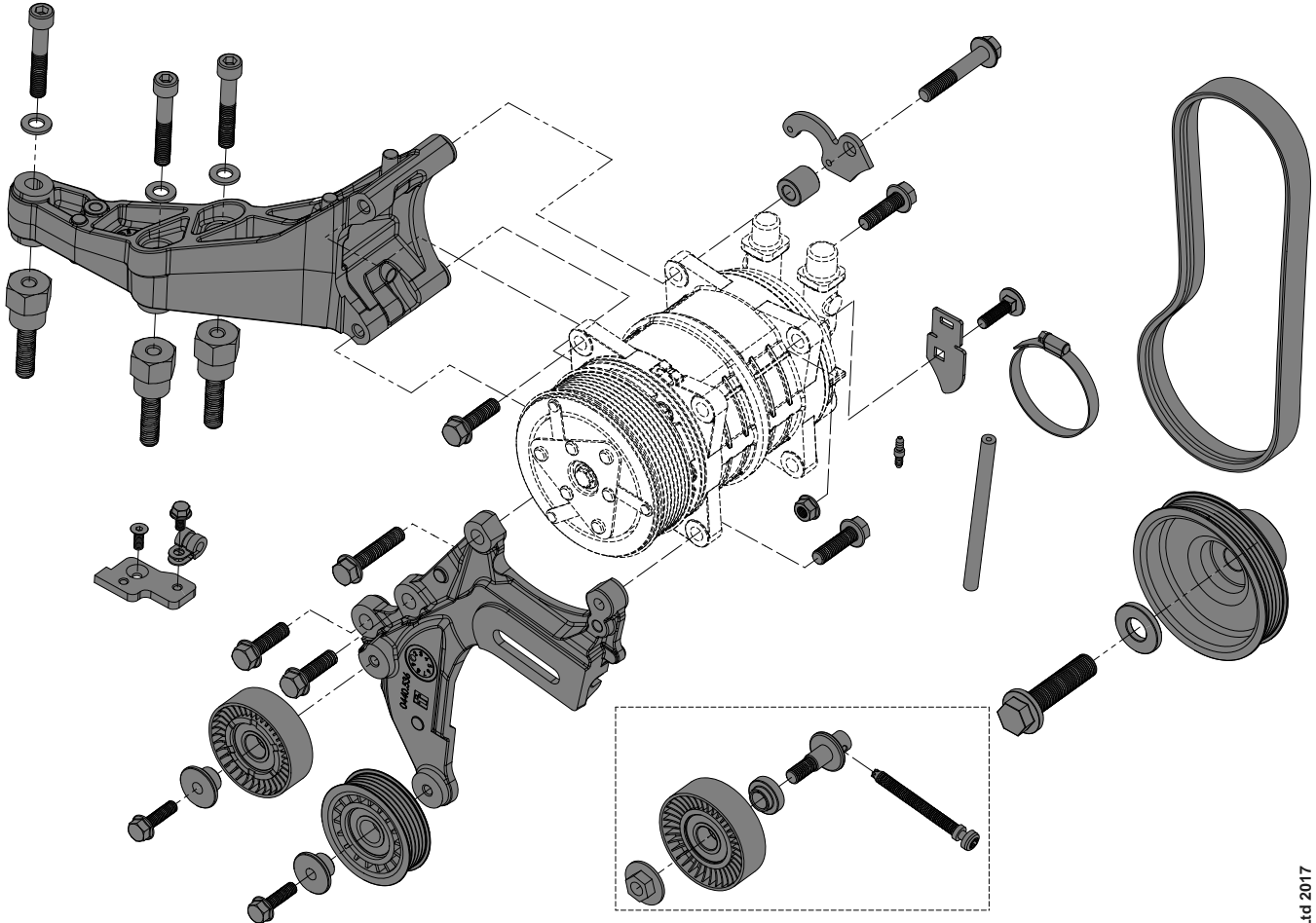


Compressor Mount Kit

Vauxhall / Opel Movano, Renault Master, Nissan NV400
 FWD 2.3 CDTI / dCi (+ AC) 2016>

Model Type : Euro 6, M9T 110/130/145/165/170
 Engine Type : FWD 2.3 CDTI / dCi (+ AC) 2016>

KIT NOS	DESCRIPTION	COMPRESSOR
0500.7932	CMK SP - Vauxhall / Opel Movano, Renault Master, Nissan NV400 FWD 2.3 CDTI / dCi E6	SELTEC/QUE TM/QP13, 15, SANDEN SD5H14, SD7H15 DELPHI SP15



Note: Fits vehicles with or without PTO.
 Not compatible with Tecshift / Quickshift / Automatic / Robotised Gearbox Stop Start options. Vehicles with STOP/START options require the battery interface option CABADP/KPD

© Techni Ltd 2017

Recommended Compressors

	TM-13 HS	TM15-HS	QP13-HD	QP15-HD	SD5H14	SD7H15	SP15
Comp No.	0381.0202	0381.0002	0391.0202	0391.0202	0370.0051	0370.0061	0310.0021
OE No.	488-45120	488-55120	QP13-1302	QP13-1302	6629	8103	015203/1
Mounting	EAR	EAR	EAR	EAR	EAR	EAR	EAR
Rotor	8PV	8PV	8PV	8PV	7PV	8PV	8PV
GL	46.55mm	46.55mm	46.55mm	46.55mm	46.55mm	46.55mm	50.1mm
Armature	3E	3E	3E	3E	SL	SL	SL
Diameter	123	123	123	123	119	119	122.4
Voltage	12	12	12	12	12	12	12
Orientation	V	V	V	V	V	V	V
Fitting	3/4 x 7/8	3/4 x 7/8	3/4 x 7/8	3/4 x 7/8	3/4 x 7/8	3/4 x 7/8	1-14 UNF-2A
Manifold	Bolt	Bolt	Bolt	Bolt			