

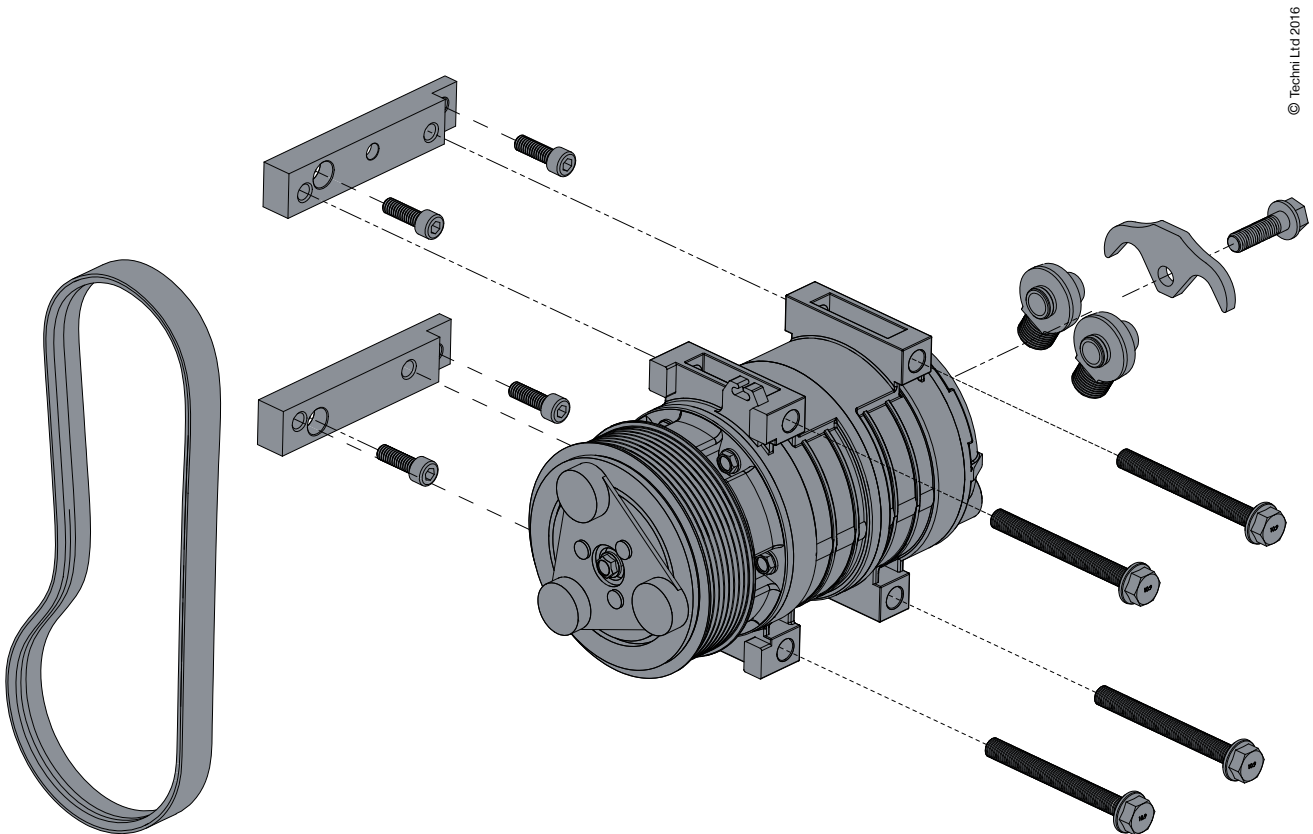
## Compressor Mount Kit

SAIC / LDV Maxus V80 2.5L Turbo Diesel. 2015>

Model Type : 2.5L Turbo Diesel

Engine Type : VM Motori Eco-D 100 kW

KIT NOS	DESCRIPTION	COMPRESSOR
0500.8182	CMK SP - SAIC / LDV Maxus V80 2.5L Turbo Diesel. 2015> (+AC)	SELTEC/QUE TM/QP13



© Techni Ltd 2016

Note: The factory fit AC system (compressor) must be decommissioned

## Recommended Compressors

	TM-13 HS	TM15-HS
Comp No.	0381.5062	0391.5062
OE No.	-	-
Mounting	Direct	Direct
Rotor	8PV	8PV
GL	74.66mm	74.66mm
Armature	3E	3E
Diameter	123	123
Voltage	12	12
Orientation	V	V
Fitting	3/4 x 7/8	3/4 x 7/8
Manifold	Bolt On	Bolt On