

# Compressor Mount Kit

New Product Release

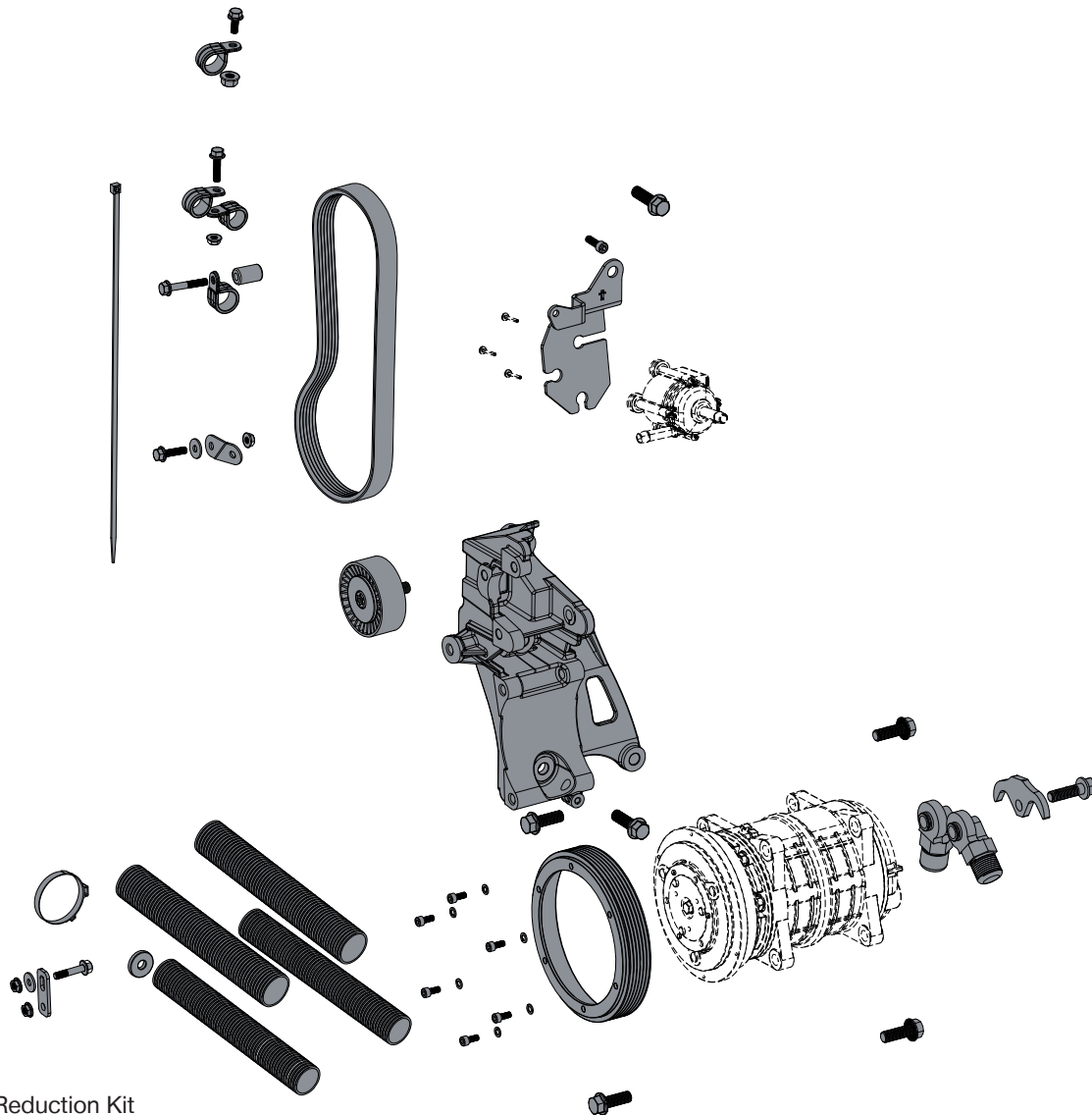
1

**FIAT DOBLO - 1.6 MULTIJET, E6, E6.2, 08.2016+ (-AC)**
**GM COMBO - 1.6 CDTi, 08.2016 - 10.2018 (-AC)**
**Model Type:** 130,150 Multijet

**Engine Type:** 198A3000 - 90 / 105PS

**Fitting Time:** 90 Minutes

KIT NOS	DESCRIPTION	COMPRESSOR
0500.8332	<b>Fiat Doblo - 1.6 Multijet, Euro 6, Euro 6.2, 08.2016+ (-AC)</b> <b>GM Combo - 1.6 CDTi, 08.2016 - 10.2018 (-AC)</b>	SELTEC/QUE TM/QP13



## 1 Speed Reduction Kit

### Recommended Compressors

	TM-13	QP-13
Comp No.	0381.0492	0391.0492
OE No.	-	QP13-1825
Mounting	Ear	Ear
Rotor	1A	1A
GL	-	-
Armature	SL	SL
Diameter	126	126
Voltage	12	12
Orientation	V	V
Fitting	3/4 x 7/8	3/4 x 7/8
Manifold	Bolt	Bolt