

Compressor Mount Kit

Volkswagen / MAN

Make: Crafter RWD / TGE RWD

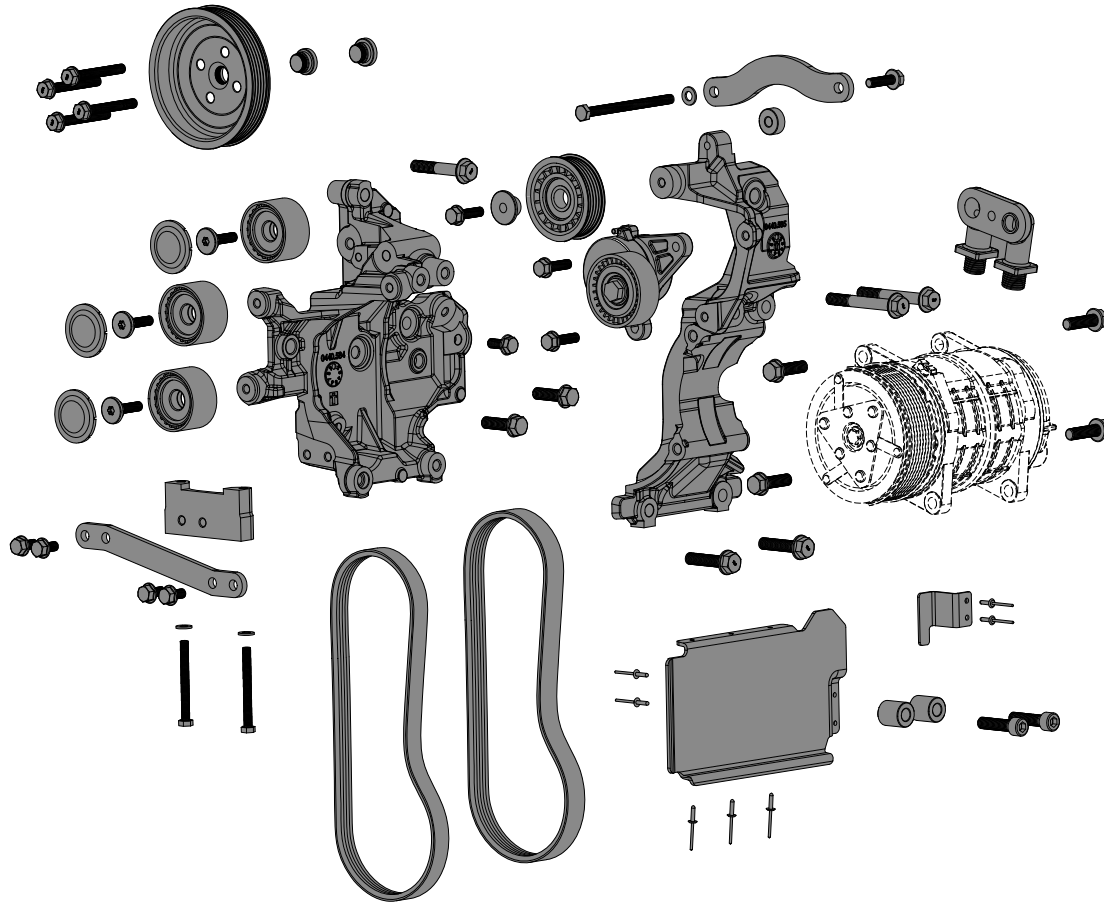
Model: CR30 , CR35

Engine Details: 2.0L

Compressor RMP: 3588* - 3690* Max Engine Power Output * Depending on engine code

Discription: Speed Reduction Kit

KIT NOS	DESCRIPTION	COMPRESSOR
0500.8572	Volkswagen / MAN - Crafter / TGE - 2.0L 2017> + AC	SELTEC/QUE TM/QP 13/15/16 SANDEN SD7H15



Note: This mount kit is not compatible with the optional 250A alternator, or factory options for an additional air condition compressor or an additional alternator.

Recommended Compressors

	TM-13 HS	TM-15 HS	TM-16 HS	QP-13 HD	QP-15 HD	QP-16 HD	SD7H15
Comp No	0381.0152	0381.0802	0381.0752	0391.0152	0391.0802	0391.0752	0370.0061
Valeo No.	435-54320	435-55320	-	QP13-1150	QP15-1512	-	8103
Mounting	Ear	Ear	Ear	Ear	Ear	Ear	Ear
Rotor	8PV	8PV	8PV	8PV	8PV	8PV	8PV
GL	46.55mm	46.55mm	46.55mm	46.55mm	46.55mm	46.55mm	46.55
Armature	SL	SL	SL	SL	SL	SL	5L
Diameter	123	123	123	123	123	123	119
Voltage	12	12	12	12	12	12	12
Orientation	V	V	V	V	V	V	V
Fitting	3/4 x 7/8	3/4 x 7/8	3/4 x 7/8	3/4 x 7/8	3/4 x 7/8	3/4 x 7/8	3/4 x 7/8
Manifold	Bolt	Bolt	Bolt	Bolt	Bolt	Bolt	-