

Compressor Mount Kit

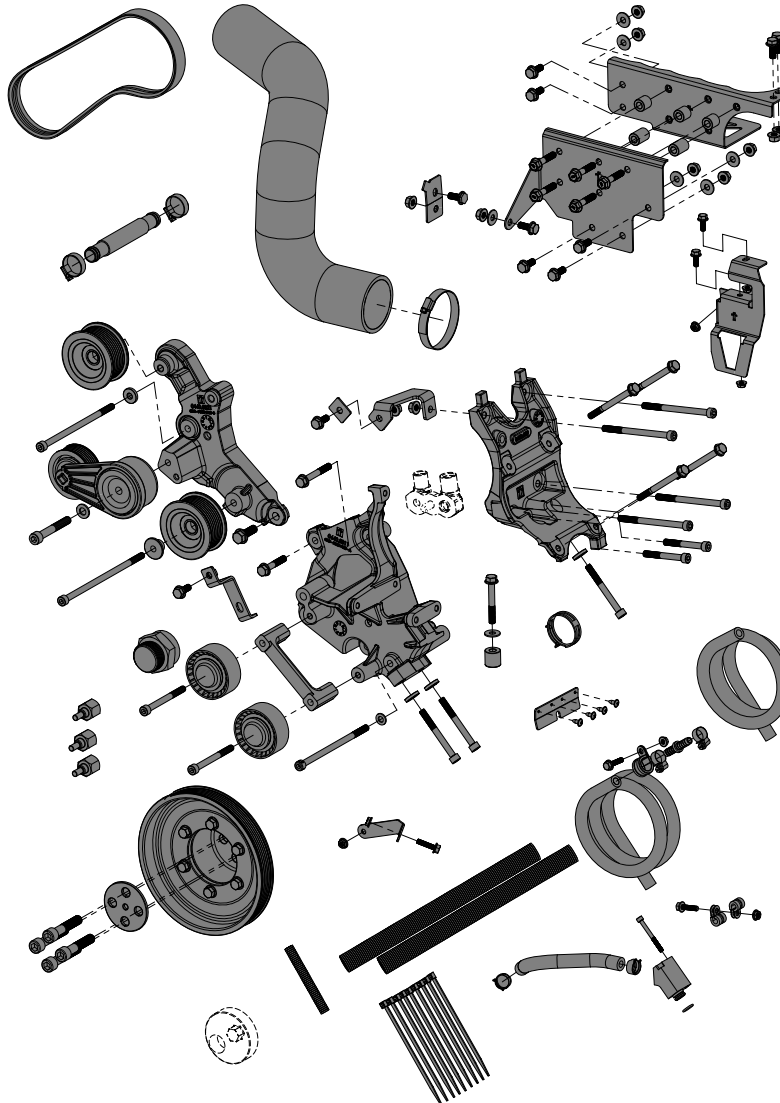
FORD

Model Type : F250 - 550

Engine Details: 6.7L Power Stroke V8 Turbo Diesel, Dual Alternator

| KIT NOS | DESCRIPTION | COMPRESSOR |
|-----------|---|------------------------------------|
| 0500.8142 | F250-550 6.7 V8 Power Stroke Dual Alternator 08.17> | 2x Valeo TM21/16 or 2x Que QP16/21 |

Note: Dual Alternator Option Required



Recommended Compressors

| SELTEC | TM16-HS | TM21-HS | QUE | QP16-HD | QP21-HD |
|-------------|-----------|-----------|-------------|-----------|-----------|
| Comp No | 0380.2011 | 0380.5321 | Comp No | 0390.2011 | 0390.5321 |
| Valeo No. | 103-56082 | 103-67260 | Valeo No. | QP16-1641 | QP21-1657 |
| Mounting | Direct | Direct | Mounting | Direct | Direct |
| Rotor | 8PV | 8PV | Rotor | 8PV | 8PV |
| Armature | 3E | 3E | Armature | 3E | 3E |
| Diameter | 125 | 127 | Diameter | 125 | 127 |
| Voltage | 12 | 12 | Voltage | 12 | 12 |
| Orientation | V | H | Orientation | V | H |
| Fitting | 3/4 x 7/8 | Pad | Fitting | 3/4 x 7/8 | Pad |
| Manifold | Bolt | Bolt | Manifold | Bolt | Bolt |