

Compressor Mount Kit

Volkswagen / MAN

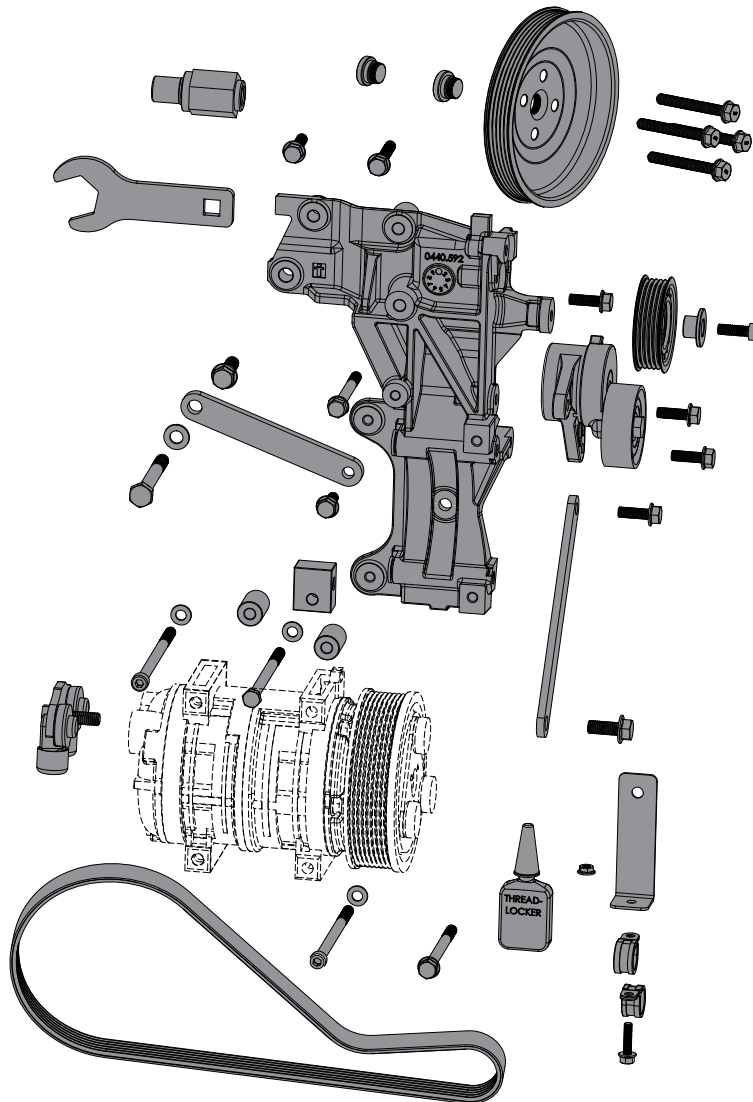
Model Type : Crafter RWD / TGE RWD

CR30, CR35, CR50 / 3.140, 3.180, 5.120, 5.180

Engine Details: 2.0L

90 (122) /103 (140) /130 (177)

KIT NOS	DESCRIPTION	COMPRESSOR
0500.8982	Volkswagen / MAN - Crafter RWD / TGE RWD 2017>	SELTEC TM21-HD QUE QP21-HD



Recommended Compressors

	TM21-HD	QP21-HD
Comp No	0381.0632	0391.0632
Valeo No.	488-47246	QP21-1563
Mounting	Direct	Direct
Rotor	8PV	8PV
GL	51.16 mm	51.16 mm
Armature	3E	3E
Diameter	141	141
Voltage	24	24
Orientation	-	-
Fitting	Pad	Pad
Manifold	Bolt	Bolt