

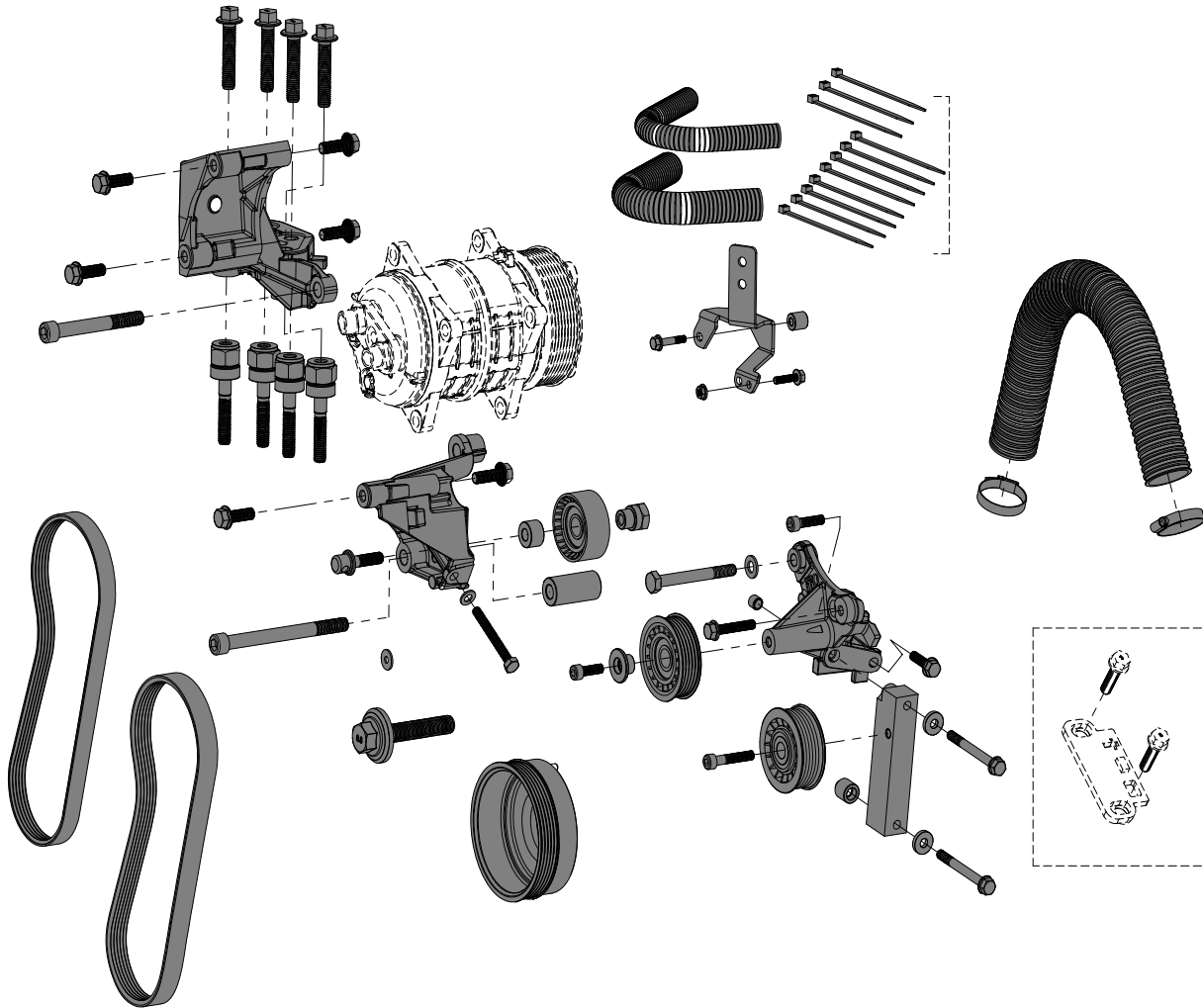
Compressor Mount Kit

FORD TRANSIT CUSTOM 2.0L Turbo Diesel Ecoblue Euro 6.2 (6d) (+AC) 07.19>

Model Type : 250 , 270 , 290 , 310 , 340

Engine Details: 105PS (77kW) / 130PS (96kW) / 170PS (125kW)

KIT NOS	DESCRIPTION	COMPRESSOR
0500.9292	CMK ST - Ford Transit Custom 2.0L Turbo Diesel Ecoblue Euro 6/ 6.2 (+AC) 07.19>	SELTEC/QUE TM/QP13/15/16



i Not suitable for euro 6 vehicles with HPAS
 Not suitable for EcoBlue Hybrid (mHEV)

Recommended Compressors

	TM-13 HS	TM15-HS	TM16-HS	QP13-HD	QP15-HD	QP16-HD
Comp No.	0381.0352	0381.5002	0381.0372	0391.0352	0391.5002	0391.0372
OE No.	488-44122	488-45122	488-46122	QP13-1274	QP15-1548	QP16-1197
Mounting	Ear	Ear	Ear	Ear	Ear	Ear
Rotor	8PV	8PV	8PV	8PV	8PV	8PV
GL	46.55	46.55	46.55	46.55	46.55	46.55
Armature	3E	3E	3E	3E	3E	3E
Diameter	123	123	123	123	123	123
Voltage	12	12	12	12	12	12
Orientation	H	H	H	H	H	H
Fitting	3/4 x 7/8	3/4 x 7/8	3/4 x 7/8	3/4 x 7/8	3/4 x 7/8	3/4 x 7/8
Manifold	Bolt	Bolt	Bolt	Bolt	Bolt	Bolt