

Compressor Mount Kit

New Product Release
0500.9492

FORD TRANSIT

Model Type: Cargo Van, Passenger Van, Cutaway + Chassis Cab

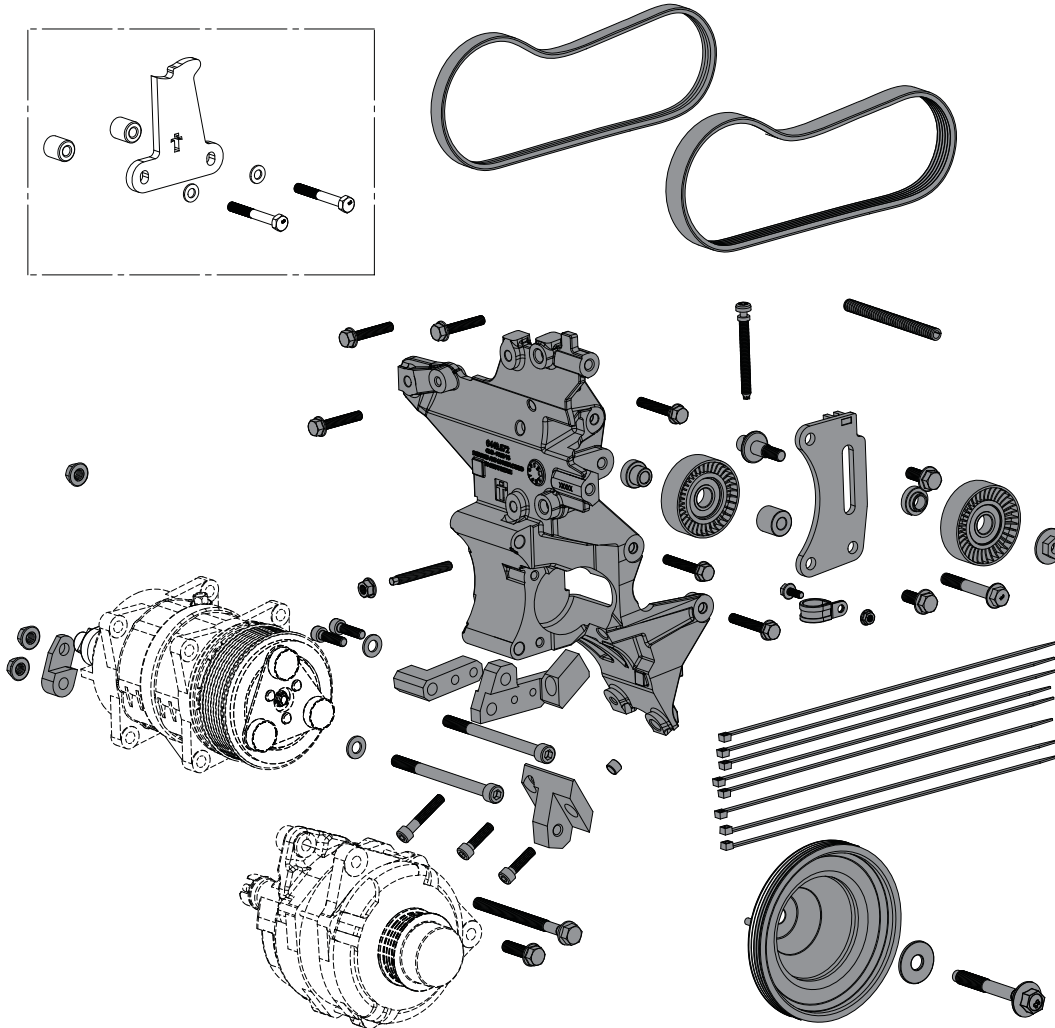
Engine Details: 3.5L - V6 PFDi Gas

Discription: Standard Kit

Compressor RPM: 6000 @ 4500 Engine Speed

Fitting Time: 210 Minutes

KIT NOS	DESCRIPTION	COMPRESSOR
0500.9492	Ford Transit Van - 3.5L - V6 PFDi Gas, 2020 MY, +AC	SELTEC/QUE TM/QP 13/15/16 SANDEN SD7H15



The crankshaft pulley locking kit is not included
 Contact Techni requesting part number 2510.5291
 Dual Alternator Only

Recommended Compressors

	TM-13 HS	TM-15 HS	TM-16 HS	QP-13 HS	QP-15 HS	QP-16 HS	SD7H15
Comp No	0381.0202	0381.0002	0381.0312	0391.0202	0391.0002	0391.0312	0370.0061
Valeo No.	488-45120	488-55120	488-46134	QP13-1302	QP15-1171	QP16-1581	8103
Mounting	Ear	Ear	Ear	Ear	Ear	Ear	Ear
Rotor	8PV	8PV	8PV	8PV	8PV	8PV	8PV
GL	46.55mm	46.55mm	46.55mm	46.55mm	46.55mm	46.55mm	46.55
Armature	3E	3E	3E	3E	3E	3E	5L
Diameter	123	123	123	123	123	123	119
Voltage	12	12	12	12	12	12	12
Orientation	V	V	V	V	V	V	V
Fitting	3/4 x 7/8	3/4 x 7/8	3/4 x 7/8	3/4 x 7/8	3/4 x 7/8	3/4 x 7/8	3/4 x 7/8
Manifold	Bolt	Bolt	Bolt	Bolt	Bolt	Bolt	-