

Compressor Mount Kit

New Product Release # 0500.9092

Mercedes Sprinter (907)
Type: 1500 / 2500

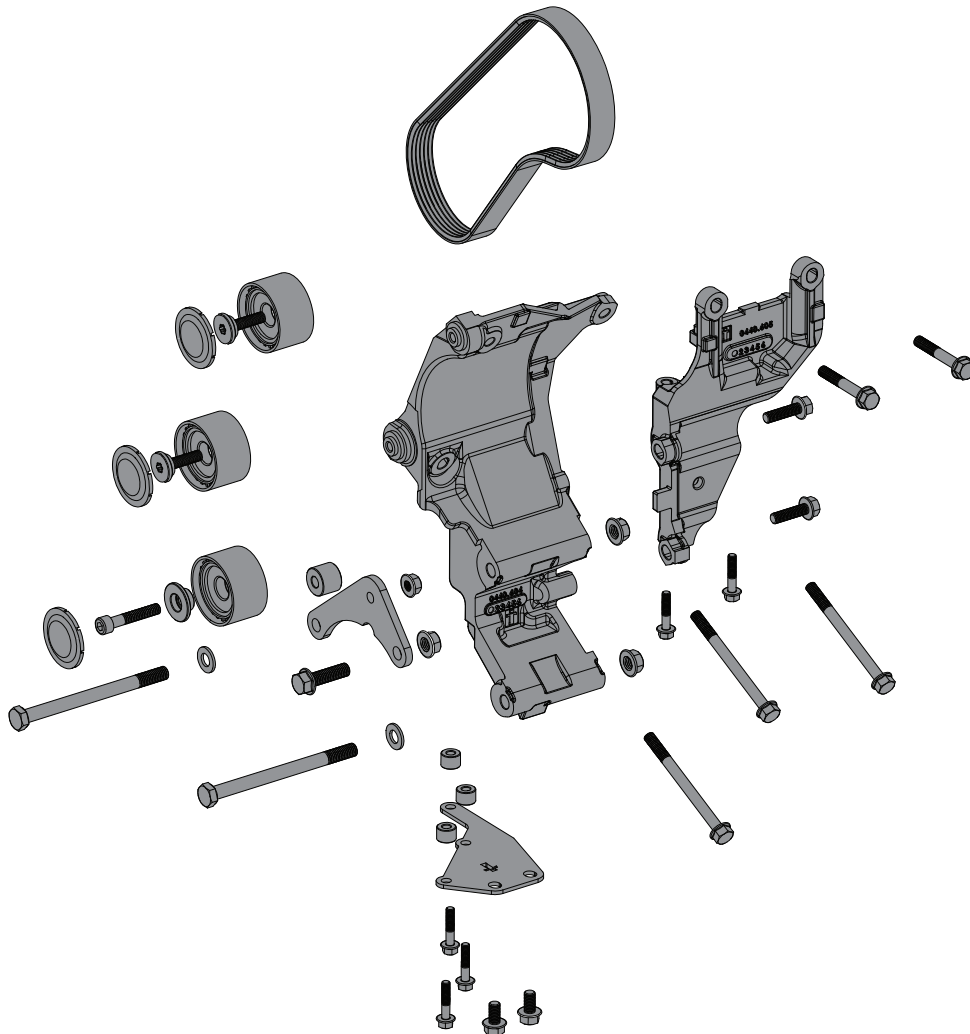
Engine Details: 2.0 I4 GAS (M274 DE20 LA)

Discription: Standard Kit

Compressor RPM: 6000 @ 4750 Engine Speed

Fitting Time: 90 Minutes

KIT NOS	DESCRIPTION	COMPRESSOR
0500.9092	CMK ST - Mercedes Sprinter (907) 2019MY> 2.0 I4 GAS (M274 DE20 LA)	SELTEC/QUE TM/QP 13/15/16 EAR MOUNT


Recommended Compressors

	TM-13 HS	TM-15 HS	TM-16 HS	QP-13 HS	QP-15 HS	QP-16 HS
Comp No	0381.0202	0381.0002	0381.0312	0391.0202	0391.0002	0391.0312
Valeo / QUE No.	488-45120	488-55120	488-46134	QP13-1302	QP15-1171	QP16-1581
Mounting	Ear	Ear	Ear	Ear	Ear	Ear
Rotor	8PV	8PV	8PV	8PV	8PV	8PV
GL	46.55mm	46.55mm	46.55mm	46.55mm	46.55mm	46.55mm
Armature	3E	3E	3E	3E	3E	3E
Diameter	123	123	123	123	123	123
Voltage	12	12	12	12	12	12
Orientation	V	V	V	V	V	V
Fitting	3/4 x 7/8	3/4 x 7/8	3/4 x 7/8	3/4 x 7/8	3/4 x 7/8	3/4 x 7/8
Manifold	Bolt	Bolt	Bolt	Bolt	Bolt	Bolt