

Compressor Mount Kit

 New Product Release
0500.9992
1
FIAT DUCATO
Model Type: Multijet 3 120 / 140 / 160 / 18

Engine CC: 2.2L

Engine Details: Euro 6D Final

Discription: Standard Kit

Compressor RPM: 5040 @ Max Engine Power Output

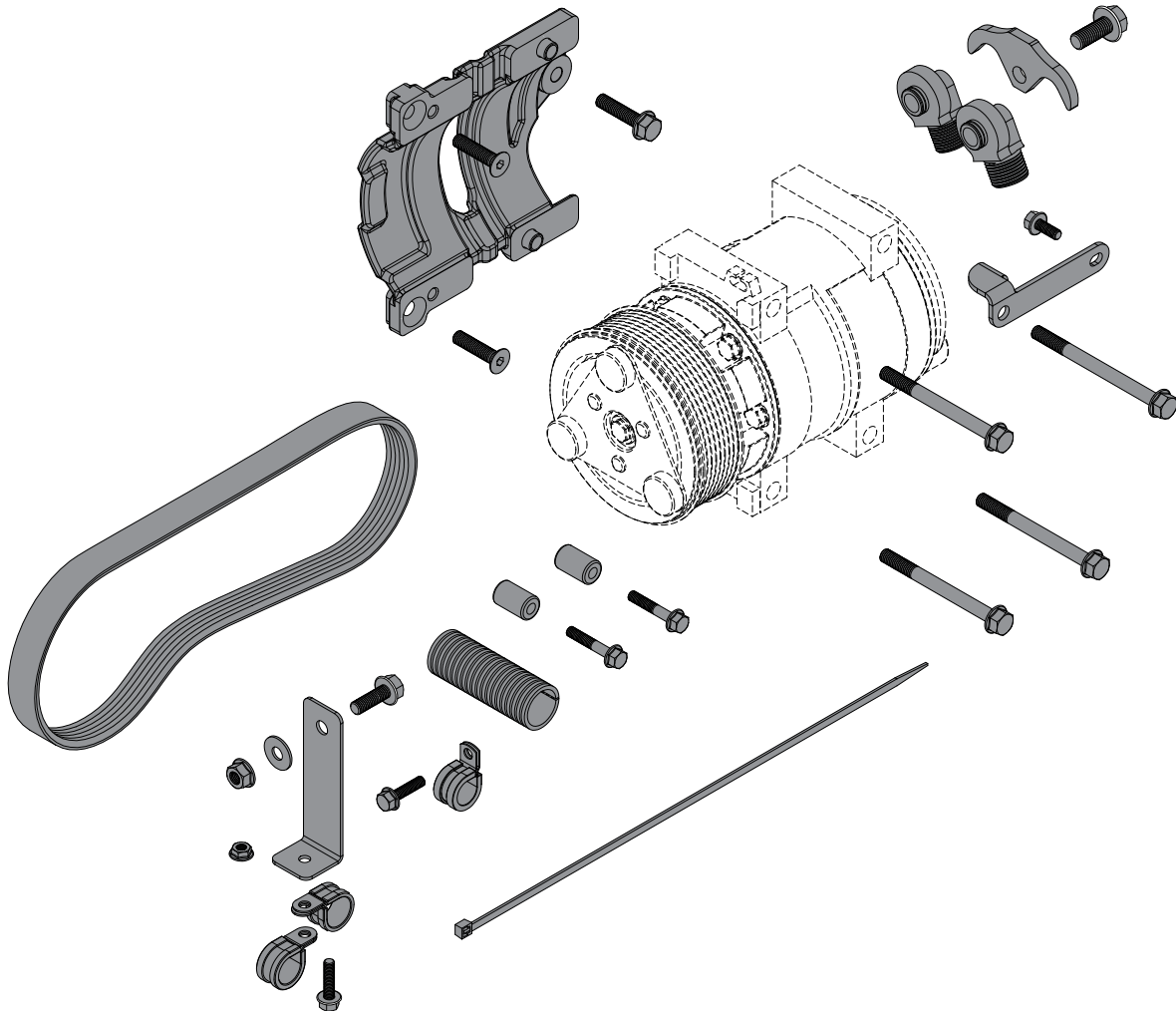
Fitting Time: 60 Minutes

Year: 08.21+

AC: Yes (Removed) / No

Discription: Standard Kit

| KIT NOS | DESCRIPTION | COMPRESSOR |
|-----------|---|---|
| 0500.9992 | Fiat Ducato - 2.2L Multijet 3, Euro 6D Final (-AC) 08.21+ | SELTEC / TM 15 QUE / QP 15 Direct Mount |


Recommended Compressors

| SELTEC | TM15-HS | QUE | QP15-HS |
|-------------|-----------|-------------|-----------|
| Comp No | 0381.5102 | Comp No | 0391.5102 |
| Valeo No. | - | Que No. | - |
| Mounting | Direct | Mounting | Direct |
| Rotor | 8PV | Rotor | 8PV |
| Armature | SL | Armature | SL |
| Diameter | 123 | Diameter | 123 |
| Voltage | 12 | Voltage | 12 |
| Orientation | H | Orientation | H |
| Fitting | 3/4 x 7/8 | Fitting | 3/4 x 7/8 |
| Manifold | Bolt | Manifold | Bolt |