

Compressor Mount Kit

 New Product Release
 0500.9992

1

FIAT DUCATO
Model Type: Multijet 3 120 / 140 / 160 / 18

Engine CC: 2.2L

Engine Details: Euro 6D Final

Discription: Standard Kit

Compressor RPM: 5040 @ Max Engine Power Output

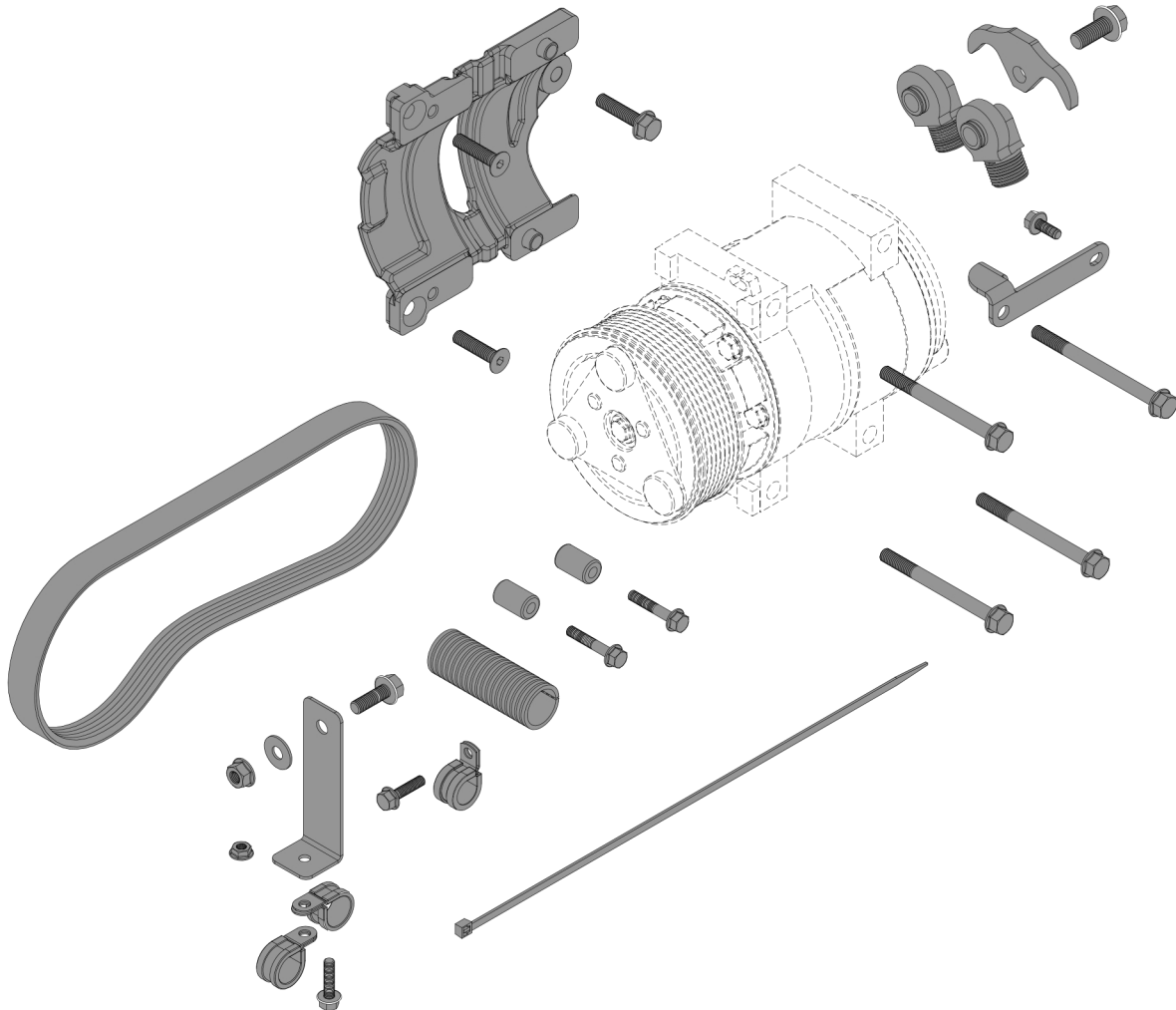
Fitting Time: 60 Minutes

Year: 08.21+

AC: Yes (Removed) / No

Discription: Standard Kit

KIT NOS	DESCRIPTION	COMPRESSOR
0500.9992	Fiat Ducato - 2.2L Multijet 3, Euro 6D Final (-AC) 08.21+	SELTEC / TM 15 QUE / QP 15 Direct Mount


Recommended Compressors

SELTEC	TM15-HS	QUE	QP15-HS
Comp No	0381.5102	Comp No	0391.5102
Valeo No.	-	Que No.	-
Mounting	Direct	Mounting	Direct
Rotor	8PV	Rotor	8PV
Armature	SL	Armature	SL
Diameter	123	Diameter	123
Voltage	12	Voltage	12
Orientation	H	Orientation	H
Fitting	3/4 x 7/8	Fitting	3/4 x 7/8
Manifold	Bolt	Manifold	Bolt